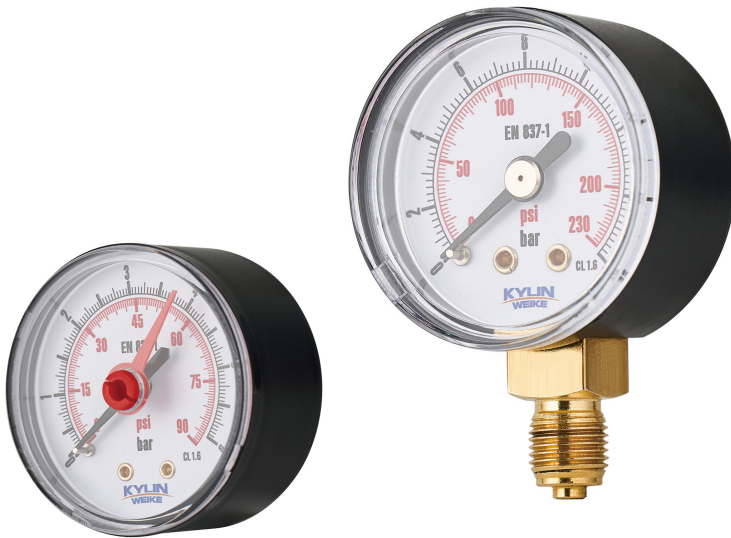


Bourdon tube pressure gauge ABS case, copper alloy Model: P100



CE EN837-1

Applications

- Instruments and controls
- Hydraulic and pneumatic devices
- Heating and air conditioning technology
- Pumps and compressors
- OEM equipment
- Painting

Features

- Strong structural consistency and high cost performance
- The design complies with EN 837-1/GB1226-2017 standards
- Standard sizes: 40, 50, 63, 80, 100mm
- Measuring range: up to 0...400 bar

Specifications

Dial size(mm)

40,50,63,80,100mm

Permissible temperature

Ambient: -20... +60C
Medium: -20... +60C

Accuracy class

- EN837-1: 2.5
- ASME B40.100 Grade B: $\pm 3-2-3\%$

Storage temperature

-20... +60C

Scale Range

0...400bar
Or all other equivalent vacuum or compound pressure and vacuum ranges

Temperature effect

When deviating from the reference conditions of the measurement system:
 $\leq \pm 0.04\%$ of full scale per °C (reference temperature: 20 °C)
 $\leq \pm 0.4\%$ of full scale per °F (reference temperature: 68 °F)

Pressure limitation

Steady: 3/4 x full scale range
Fluctuation: 2/3 x full scale range
Short Time: 1x full scale range

Model: P100

Specifications

Process connection

Copper alloy

Pointer

Aluminum alloy,black

Pressure element

Copper alloy
C-type or helical type

Case

Plastic ABS

Movement

Copper alloy

Window

Acrylic

Dial

Aluminum alloy, with pointer stop pin
Dial scale: single/double scale optional

Case filling liquid

Dry

Options

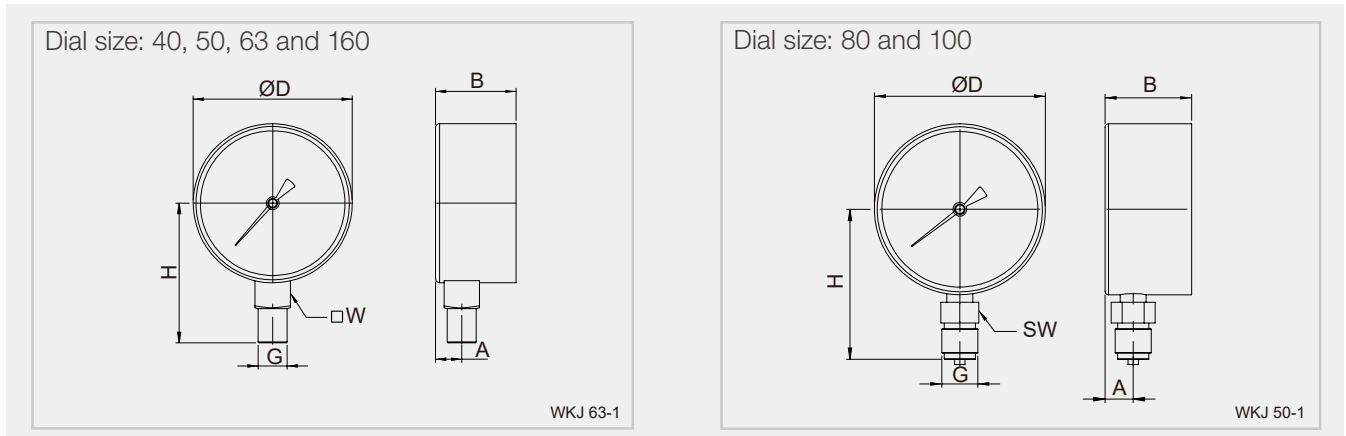
- Red pointer is located above the watch case
- Polycarbonate
- Polycarbonate with a red pointer
- Customized dial and LOGO
- " "



Model: P100

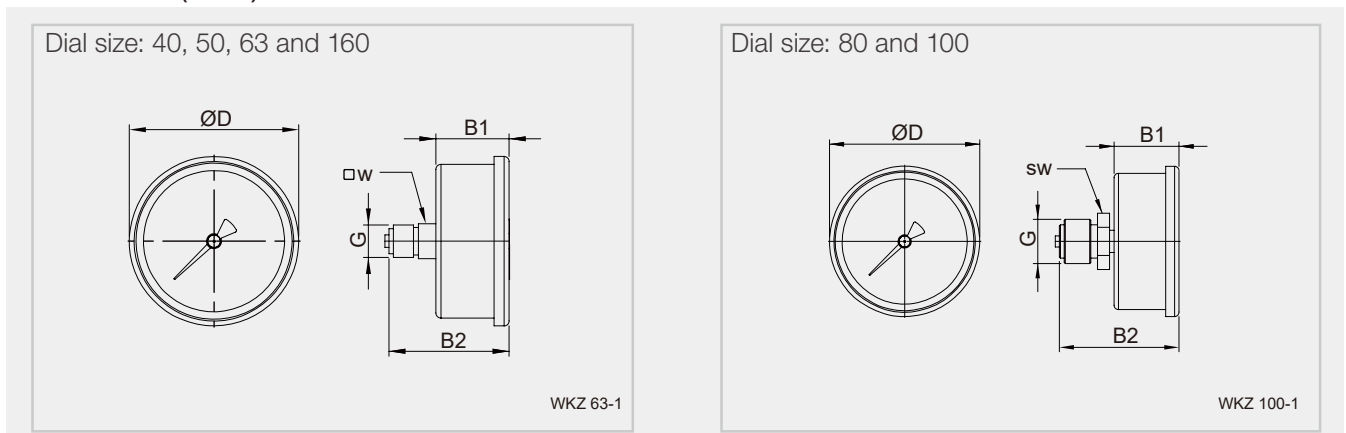
Dimensions in mm

Bottom mount(radial)



Dial size	Dimensions in mm						Weight(kg)
	A	B ±0.5	D	G	H±1	SW	
40	9	24.5	40	G1/8B	36.5	14	0.06
50	10	28.5	52	G1/4B	45	14	0.07
63	10	28	63	G1/4B	52.5	14	0.08
80	12.5	32.5	79	G1/2B	69.5	22	0.15
100	14.3	33.5	99	G1/2B	79	22	0.18

Back mount(axial)



Dial size	Dimensions in mm					Weight(kg)
	B1±0.5	D	G	B2±1	SW	
40	25.5	41	G1/8B	41	11	0.06
50	28.5	52	G1/4B	47.5	14	0.07
63	28.5	63	G1/4B	47.5	14	0.09
80	28	79	G1/2B	58	22	0.13

Model: P100

ORDERING CODE

--	--	--	--	--	--	--

Model
P100

Dial size(mm)

(40)-40mm
 (50)-50mm
 (63)-63mm
 (80)-80mm
 (100)-100mm

Process connection location

(L)-Bottom mount(radial)
 (B)-Back mount(axial)

Case filling

(D)-Dry

Process connection sizes

(01)-G1/8B,male thread	(06)-1/4NPT,male thread	(12)-R1/2,male thread
(03)-G1/4B,male thread	(08)-1/2NPT,male thread	(17)-M10x1,male thread
(04)-G1/2B,male thread	(09)-R1/8,male thread	(18)-M14x1.5,male thread
(05)-1/8NPT,male thread	(10)-R1/4,male thread	(21)-M20x1.5,male thread

Option

(RP)-Red pointer is located above the watch case
 (PC)-Polycarbonate
 (RPPC)-Polycarbonate with a red pointer
 (CM)-Customized dial and LOGO
 (N/A)-" "

Scale Range(coding examples only, see range table on page 5 for all standard ranges)

0.3BR=0...0.3bar N=Vaccum range
 0.3KG=0...0.3kg/cm² N1/3BR="-1...3bar"
 6KP=0...6kPa
 0.6MP=0...0.6MPa
 30#=0...30psi



Model : P100

Pressure range selection table

Scale ranges				
Bar	Kg/cm ²	Psi	kPa	MPa
N1BR	N1KG	N30HG	N100KP	N0.1MP
N1/0.6BR	N1/0.6KG	-	N100/60KP	N0.1/0.06MP
		N30HG&15#		
N1/1.5BR	N1/1.5KG		N100/150KP	N0.1/0.15MP
		N30HG&30#		
N1/3BR	N1/3KG		N100/300KP	N0.1/0.3MP
		N30HG&60#		
N1/5BR	N1/5KG		N100/500KP	N0.1/0.5MP
		N30HG&100#		
N1/9BR	N1/9KG		N100/900KP	N0.1/0.9MP
N1/15BR	N1/15KG		N100/1500KP	N0.1/1.5MP
		N30HG&160#		
N1/24BR	N1/24KG		N100/2400KP	N0.1/2.4MP
		N30HG&300#		
0.6BR	0.6KG	10#	60KP	0.06MP
1BR	1KG	15#	100KP	0.1MP
1.6BR	1.6KG	-	160KP	0.16MP
-	-	30#	-	-
2.5BR	2.5KG	-	250KP	0.25MP
4BR	4KG	60#	400KP	0.4MP
6BR	6KG	-	600KP	0.6MP
-	-	100#	-	-
10BR	10KG	-	1000KP	1MP
-	-	160#	-	-
-	-	200#	-	-
16BR	16KG	-	1600KP	1.6MP
-	-	300#	-	-
25BR	25KG	-	2500KP	2.5MP
-	-	400#	-	-
40BR	40KG	600#	4000KP	4MP
-	-	800#	-	-
60BR	60KG	-	6000KP	6MP
-	-	1000#	-	-
100BR	100KG	1500#	10000KP	10MP
-	-	2000#	-	-
160BR	160KG	-	16000KP	16MP
-	-	3000#	-	-
250BR	250KG	-	25000KP	25MP
-	-	4000#	-	-
-	-	5000#	-	-
400BR	400KG	6000#	40000KP	40MP

