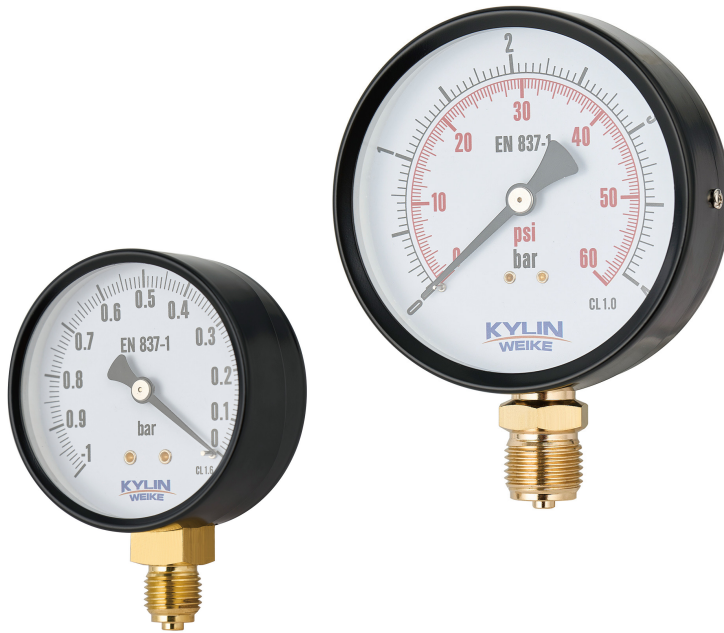


Bourdon tube pressure gauge Copper alloy, iron case Model: P110



CE EN837-1

Applications

- Instruments and controls
- Hydraulic and pneumatic devices
- Heating and air conditioning technology
- Pumps and compressors
- OEM equipment
- Painting

Features

- Strong structural consistency and high cost performance
- The design complies with EN 837-1/GB1226-2017 standards
- Measuring range: vacuum, combined range, positive pressure up to 40 MPa

Specifications

Dial size(mm)
40,50,63,80,100,150mm

Accuracy class
■ 2.5: 40, 50, 63, 80mm
■ 1.6: 100, 150mm

Scale Range
-1...0 to 0...400bar
Or all other equivalent vacuum or compound pressure and vacuum ranges

Pressure limitation
Steady: 3/4 x full scale range
Fluctuation: 2/3 x full scale range
Short Time: 1x full scale range

Permissible temperature
Ambient: -20... +60C
Medium: -20... +60C

Storage temperature
-20... +60C

Temperature effect
When deviating from the reference conditions of the measurement system:
≤ ±0.04% of full scale per °C (reference temperature: 20 °C)
≤ ±0.4% of full scale per °F (reference temperature: 68 °F)



Model: P110

Specifications

Process connection

Copper alloy

Pointer

Aluminum alloy, black

Pressure element

Copper alloy
C-type or helical type

Case

Iron, black

Movement

Copper alloy

Window

Instrument glass

Dial

Aluminum alloy, with pointer stop pin
Dial scale: single/double scale optional

Case filling liquid

Dry

Options

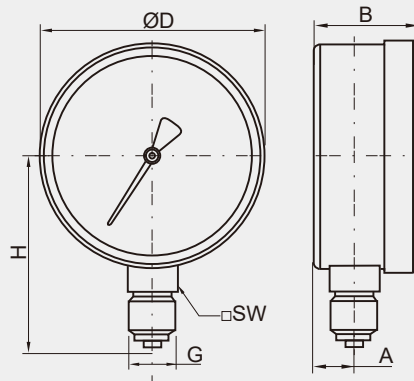
- Front flange (axial)
- Rear flange (radial)
- U-shaped clip for joint (40, 50, 63 mm)
- Safety glass
- Electroplated joint
- Electroplated upper cover
- " "



Model: P110

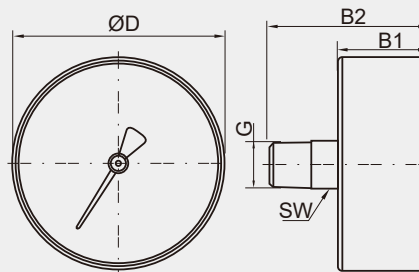
Dimensions in mm

Bottom mount(radial)



Dial size	Dimensions in mm						Weight(kg)
	A	B±0.5	D	G	H±1	SW	
40	7.5	22.5	40.5	1/8	36.5	11	0.08
50	9	27.6	50.5	1/4	46.5	14	0.08
63	9.6	29.5	62.2	1/4	54	14	0.11
80	9.8	31.5	80	1/2	66	14	0.2
100	13.2	35	98	1/2	77.2	22	0.23
150	14	47	150	1/2	107	22	0.68

Back mount(axial)



Dial size	Dimensions in mm					Weight(kg)
	B1±0.5	D	G	B2±1	SW	
40	25	40.5	G1/4B	40	11	0.06
50	27.7	51	G1/4B	48	14	0.10
63	28.2	63	G1/4B	48.5	14	0.13
80	32	80	G1/4B	49	14	0.18
100	36	100	G1/4B	61	18	0.34

Model: P110

ORDERING CODE

--	--	--	--	--	--	--

Model

P110

Dial size(mm)

(40) -40mm

(50) -50mm

(63) -63mm

(80) -80mm

(100) -100mm

(150) -150mm (Radial only)

Process connection location

(L)-Bottom mount(radial)

(B)-Back mount(axial)

Case filling

(D)-Dry

Process connection sizes

(01)G1/8B,male thread

(08) 1/2NPT,male thread

(03)G1/4B,male thread

(09)R1/8,male thread

(04)G1/2B,male thread

(10) R1/4,male thread

(05) 1/8NPT,male thread

(12) R1/2,male thread

(06) 1/4NPT,male thread

(21) M20x1.5,male thread

Option

(FF) - Front flange (axial)

(EC) - Electroplated joint

(BF) - Rear flange (radial)

(D2) - Electroplated upper cover

(UT) - U-shaped clip for joint (40, 50, 63 mm)

(N/A) -" "

(SG) - Safety glass

Scale Range(coding examples only, see range table on page 5 for all standard ranges)

0.3BR=0...0.3bar

N=Vaccum range

0.3KG=0...0.3kg/cm²

N1/3BR="-1...3bar"

6KP=0...6kPa

0.6MP=0...0.6MPa

30#=0...30psi

Model: P110

Pressure range selection table

Scale ranges				
Bar	Kg/cm ²	Psi	kPa	MPa
N1BR	N1KG	N30HG	N100KP	N0.1MP
N1/0.6BR	N1/0.6KG	-	N100/60KP	N0.1/0.06MP
		N30HG&15#		
N1/1.5BR	N1/1.5KG		N100/150KP	N0.1/0.15MP
		N30HG&30#		
N1/3BR	N1/3KG		N100/300KP	N0.1/0.3MP
		N30HG&60#		
N1/5BR	N1/5KG		N100/500KP	N0.1/0.5MP
		N30HG&100#		
N1/9BR	N1/9KG		N100/900KP	N0.1/0.9MP
N1/15BR	N1/15KG		N100/1500KP	N0.1/1.5MP
		N30HG&160#		
N1/24BR	N1/24KG		N100/2400KP	N0.1/2.4MP
		N30HG&300#		
0.6BR	0.6KG	10#	60KP	0.06MP
1BR	1KG	15#	100KP	0.1MP
1.6BR	1.6KG	-	160KP	0.16MP
-	-	30#	-	-
2.5BR	2.5KG	-	250KP	0.25MP
4BR	4KG	60#	400KP	0.4MP
6BR	6KG	-	600KP	0.6MP
-	-	100#	-	-
10BR	10KG	-	1000KP	1MP
-	-	160#	-	-
-	-	200#	-	-
16BR	16KG	-	1600KP	1.6MP
-	-	300#	-	-
25BR	25KG	-	2500KP	2.5MP
-	-	400#	-	-
40BR	40KG	600#	4000KP	4MP
-	-	800#	-	-
60BR	60KG	-	6000KP	6MP
-	-	1000#	-	-
100BR	100KG	1500#	10000KP	10MP
-	-	2000#	-	-
160BR	160KG	-	16000KP	16MP
-	-	3000#	-	-
250BR	250KG	-	25000KP	25MP
-	-	4000#	-	-
-	-	5000#	-	-
400BR	400KG	6000#	40000KP	40MP

