

Shock-resistant bourdon tube pressure gauge, stainless steel case Model: P150



The P150 series has a shell made of stainless steel, and the wetted parts are made of copper alloy. Since the gauge is filled with liquid, the pressure element can effectively cushion.



Applications

- Construction equipment
- Compressor
- Irrigation equipment

Features

- Corrosion-resistant stainless steel shell
- Exhaust valve with ventilation function
- Resistant to vibration and shock
- Multiple panel mounting flanges are available for selection

Specifications

Dial size(mm)

63,100mm

Accuracy class

- 63mm: $\pm 1.6\%$ full scale EN837-1
- 100mm: $\pm 1\%$ full scale EN837-1

Scale Range

0...6MPa

Or all other equivalent vacuum or compound pressure and vacuum ranges

Pressure limitation

Steady: 3/4X full scale range
Fluctuation: 2/3X full scale range
Short Time: 1.0X full scale range

Permissible temperature

Ambient: -40 ... +60°C ,dry
-7 ... +60°C ,glycerin
-40 ... +60°C ,silicone oil
Medium: -40 ... +60°C ,dry
-20 ... +60°C ,glycerin
-40 ... +60°C ,silicone oil

Storage temperature

-40 ... +60°C

Temperature effect

When deviating from the reference conditions of the measurement system:

$\leq \pm 0.04\%$ of full scale per °C (reference temperature: 20 °C)
 $\leq \pm 0.4\%$ of full scale per °F (reference temperature: 68 °F)



Model: P150

Specifications

Process connection

Copper alloy
Radial connection or axial connection

Pointer

Aluminum alloy,black

Pressure element

Copper alloy,C-type

Case

Stainless steel

Movement

Copper alloy

Window

Polycarbonate

Dial

Aluminum, white background, black and red printing

Case filling liquid

- Dry
- Glycerin
- Silicone oil

Options

- Special welding materials for coping with extreme medium temperatures
- Rear flange (radial)
- Front flange (axial)
- U-shaped clip for housing
- U-shaped clip for joint
- Front flange and U-shaped clip for joint (axial)
- Front flange without holes and U-shaped clip for joint (axial)
- Front flange and U-shaped clip for housing (axial)
- Front flange without holes and U-shaped clip for housing (axial)
- " "

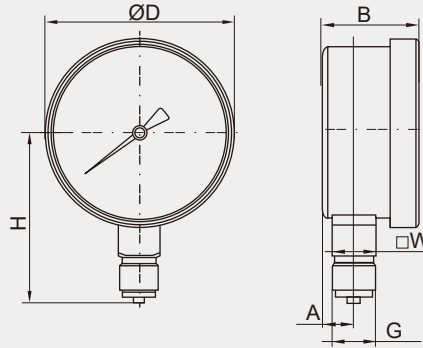


Model: P150

Dimensions in mm

Bottom mount(radial)

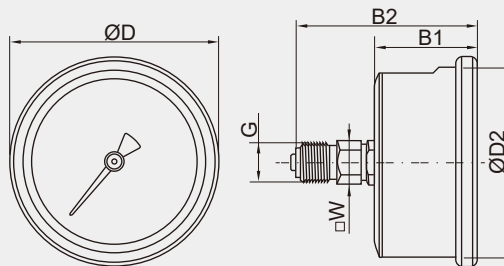
Dial size: 63 and 100



Dial size	Dimensions in mm						Weight(kg)	
	A	B±0.5	D	G	H±1	SW	Dry gauge	liquid gauge
63	11	31	68.5	G1/4B	58.5	14	0.16	0.24
100	15	45	107.5	G1/2B	93	22	0.49	0.79

Back mount(axial)

Dial size: 63 and 100



Dial size	Dimensions in mm						Weight(kg)	
	B1±0.5	D	G	B2±1	D2	SW	Dry gauge	liquid gauge
63	11	68	G1/4B	58	85	14	0.15	0.23
100	15	107.5	G1/2B	85	131	22	0.54	0.84



Model: P150

ORDERING CODE

--	--	--	--	--	--	--

Model

P150

Dial size(mm)

(63)-63mm

(100)-100mm

Process connection location

(L)-Bottom mount(radial)

(LB) -Lower back mount(axial)(only applicable to 100mm)

(CB)-Center back mount(axial)(only applicable to 63mm)

Case filling

(D)-Dry

(L)-Glycerin

(S)-Silicone oil

Process connection sizes

(01)-G1/8B,male thread (08)-1/2NPT,male thread

(03)-G1/4B,male thread (09)-R1/8,male thread

(04)-G1/2B,male thread (10)-R1/4,male thread

(05)-1/8NPT,male thread (12)-R1/2,male thread

(06)-1/4NPT,male thread (26)-9/16-18 UNF female thread with 60° sealing cone

Option

(YH)- Special welding materials for coping with extreme medium temperatures

(BF)- Rear flange (radial)

(FF)- Front flange (axial)

(UC)- U-shaped clip for housing

(UT)- U-shaped clip for joint

(FU)- Front flange and U-shaped clip for joint (axial)

(WU) -Front flange without holes and U-shaped clip for joint (axial)

(FT) -Front flange and U-shaped clip for housing (axial)

(WT) -Front flange without holes and U-shaped clip for housing (axial)

(N/A) -" "

Scale Range(coding examples only, see range table on page 5 for all standard ranges)

0.3BR=0...0.3bar N=Vaccum range

0.3KG=0...0.3kg/cm² N1/3BR="-1...3bar"

6KP=0...6kPa

0.6MP=0...0.6MPa

30#=0...30psi



Model:P150

Pressure range selection table

Scale ranges				
Bar	Kg/cm ²	Psi	kPa	MPa
1BR	1KG	15#	100KP	0.1MP
-	-	20#	-	-
1.6BR	1.6KG	-	160KP	0.16MP
-	-	30#	-	-
2.5BR	2.5KG	-	250KP	0.25MP
4BR	4KG	60#	400KP	0.4MP
6BR	6KG	-	600KP	0.6MP
-	-	100#	-	-
-	-	120#	-	-
10BR	10KG	-	1,000KP	1MP
-	-	160#	-	-
-	-	200#	-	-
16BR	16KG	-	1,600KP	1.6MP
-	-	300#	-	-
25BR	25KG	-	2,500KP	2.5MP
-	-	400#	-	-
-	-	500#	-	-
40BR	40KG	600#	4,000KP	4MP
-	-	800#	-	-
60BR	60KG	-	6,000KP	6MP

