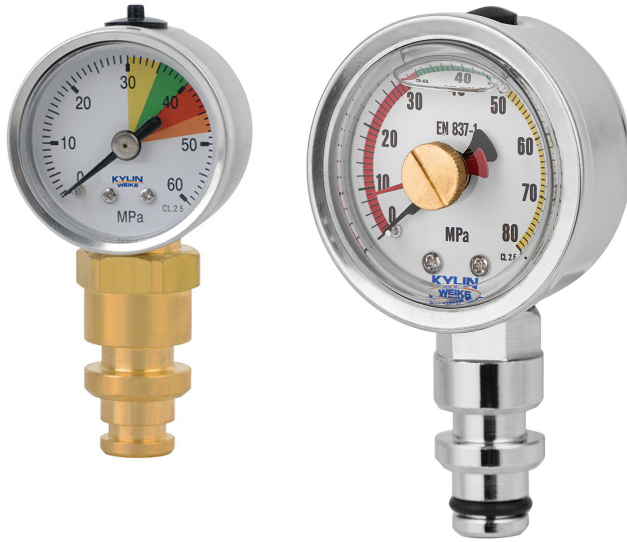


Pressure gauge, for mining industry Model: P50



P50 mining pressure gauge series, stainless steel case, shock-resistant. Before use, the red memory pointer needs to be returned to zero (the starting point of the black pointer). The black pointer shows the current pressure, and the red pointer shows the maximum pressure during use.

CE EN837-1

Applications

- Pressure measurement in underground mines
- Suitable for media in harsh environments

Features

- Stainless steel case
- With red memory pointer
- Shock-resistant and corrosion-resistant
- Blow-out plug on the top of the case

Specifications

Dial size(mm)

40,50mm

Accuracy class

1.6, 2.5

Scale Range

0...60MPa , 0...80MPa
Or all other equivalent vacuum or compound pressure and vacuum ranges

Pressure limitation

Steady: 3/4X full scale range
Fluctuation: 2/3X full scale range
Short Time: 1.3X full scale range

Permissible temperature

Ambient: -40 to+60 °C [-40 to +140 °F], dry
-20 to +60 °C [-4 to +140 °F], glycerin
-40 to+60 °C [-40 to +140 °F], silicone oil
Medium: -40 to +60 °C [-40 to +140 °F], dry
-20 to +60 °C [-4 to +140 °F], glycerin
-40 to +60 °C [-40 to +140 °F], silicone oil

Temperature effect

When deviating from the reference conditions of the measurement system:
≤ ±0.04% of full scale per °C (reference temperature: 20 °C)
≤ ±0.4% of full scale per °F (reference temperature: 68 °F)

Model: P50

Specifications

Process connection

Copper alloy, DN10 or KJ10

Pointer

Aluminium alloy, black, red pointer with memory function

Pressure element

Copper alloy
C-type or helical type

Case

Stainless steel

Movement

Copper alloy

Window

Polycarbonate

Dial

Plastic, white,
with pointer stop pin, black lettering

Case filling liquid

- Dry
- Glycerin
- Silicone oil

Ingress protection

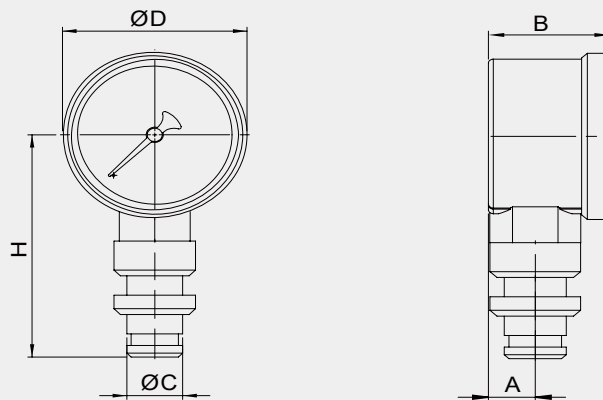
IP 65, comply with EN 60529 / IEC 529 standard

Options

- Plated connector
- Zinc alloy casing(50MM)
- " "

Dimensions in mm

Bottom mount(radial)



Dial size	Dimensions in mm						Weight(kg)	
	A	B±0.5	D	G	H±1	SW	Dry gauge	liquid gauge
40	9.5	28	40	DN10 or KJ10	60	22	0.13	0.15
50	9.5	31	52	DN10 or KJ10	62	17	0.15	0.18



Model: P50

ORDERING CODE

--	--	--	--	--	--	--

Model

P50

Dial size(mm)

(40)-40mm

(50)-50mm

Process connection location

(L)-Bottom mount(radial)

Case filling

(D)-Dry

(L)-Glycerin

(S)-Silicone oil

Process connection sizes

(43)-DN10

(44)-KJ10

Option

(EC)-Plated connector

(ZC)-Zinc alloy housing(50MM)

(N/A) -" "

Scale Range(coding examples only, see range table on page 4 for all standard ranges)

0.3BR=0...0.3bar N=Vaccum range

0.3KG=0...0.3kg/cm² N1/3BR="-1...3bar"

6KP=0...6kPa

0.6MP=0...0.6MPa

30#=0...30psi



Model: P50

Pressure range selection table

Scale ranges				
Bar	Kg/cm ²	Psi	kPa	MPa
	N0.6KG	-	-	-
N1BR	N1KG	N30HG	N100KP	N0.1MP
N1/0.6BR	N1/0.6KG	-	N100/60KP	N0.1/0.06MP
		N30HG&15#		
N1/1.5BR	N1/1.5KG	-	N100/150KP	N0.1/0.15MP
		N30HG&30#		
N1/3BR	N1/3KG	-	N100/300KP	N0.1/0.3MP
		N30HG&60#		
N1/5BR	N1/5KG	-	N100/500KP	N0.1/0.5MP
		N30HG&100#		
N1/9BR	N1/9KG	-	N100/900KP	N0.1/0.9MP
N1/15BR	N1/15KG	-	N100/1500KP	N0.1/1.5MP
		N30HG&160#		
N1/24BR	N1/24KG	-	N100/2400KP	N0.1/2.4MP
		N30HG&300#		
0.6BR	0.6KG	10#	60KP	0.06MP
1BR	1KG	15#	100KP	0.1MP
1.6BR	1.6KG	-	160KP	0.16MP
-	-	30#	-	-
2.5BR	2.5KG	-	250KP	0.25MP
4BR	4KG	60#	400KP	0.4MP
6BR	6KG	-	600KP	0.6MP
-	-	100#	-	-
10BR	10KG	-	1000KP	1MP
-	-	160#	-	-
-	-	200#	-	-
16BR	16KG	-	1600KP	1.6MP
-	-	300#	-	-
25BR	25KG	-	2500KP	2.5MP
-	-	400#	-	-
40BR	40KG	600#	4000KP	4MP
-	-	800#	-	-
60BR	60KG	-	6000KP	6MP
-	-	1000#	-	-
100BR	100KG	1500#	10000KP	10MP
-	-	2000#	-	-
160BR	160KG	-	16000KP	16MP
-	-	3000#	-	-
250BR	250KG	-	25000KP	25MP
-	-	4000#	-	-
-	-	5000#	-	-
400BR	400KG	6000#	40000KP	40MP

