

Bourdon tube fire meter, ABS plastic shell Model: P800



CE EN837-1

Applications

- fire protection system

The pressure gauges used in Kylin Weike's fire sprinkler system have obtained certification from the Underwriters Laboratory (UL) in the United States and have been approved by Factory Mutual (FM) in the United States for fire sprinkler system services.

Among them, the pressure gauge model P80 has an ABS housing material. The pressure range of 0 - 300 psi is suitable for "wet" systems, in which water is available at the sprinkler heads. The pressure range of 0 - 80 delayed to 250 psi is used for dry systems, in which the pipeline is filled with air pressure until the system is activated. For systems requiring higher pressure, a pressure gauge of 0 - 600 psi is available.

Due to the global demand for pressure gauges for fire sprinkler heads, Kylin Weike offers three-scale (bar, kPa, psi) dial pressure gauges certified by the UL laboratory in the United States. At the same time, in different working conditions. We also provide customers with different choices of case materials. Customers can select products suitable for themselves from ABS, black iron, and stainless steel casings.

Features

- Corrosion-resistant ABS meter case
- High temperature resistant PC meter dial
- UL and FM certification
- Up to three scales are available for selection

Specifications

Design

Meet UL and FM standards

Permissible temperature

Operating temperature: -40°C...70°C; -40°F...150 °F

Dial size(mm)

100mm(4")

Scale Range

0 - 600 Psi

Or all other equivalent vacuum or compound pressure and vacuum ranges

Accuracy class

±3 - 2 - 3% of full scale (ASME B40.100, Grade B)



**KYLIN
WEIKE**

KYLINWEIKE | SENSING FUTURE

Model: P800

Specifications

Process connection

Copper alloy

Pointer

Aluminum alloy, black

Pressure element

Copper alloy, C shape

Case

ABS, stainless steel, iron case

Movement

Copper alloy

Window

Polycarbonate

Dial

Aluminum alloy, white

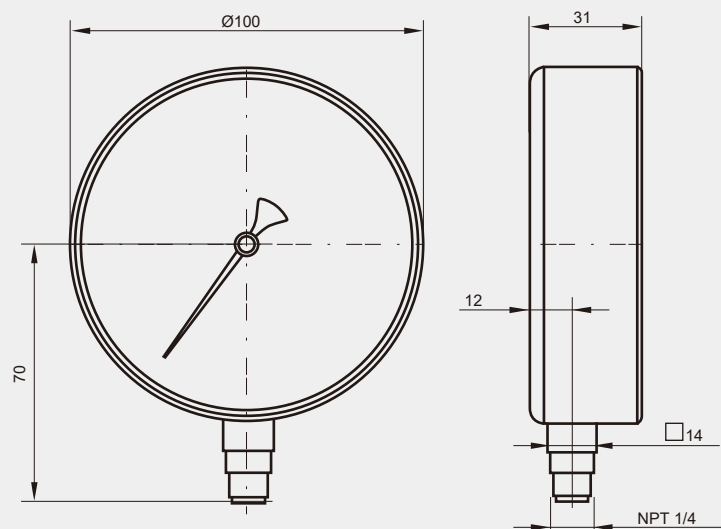
Case filling liquid

Dry

Case material

■ ABS ■ Steel ■ Stainless steel

Dimensions in mm



Model: P800

ORDERING CODE

--	--	--	--	--	--	--	--

Model

P800

Dial size(mm)

(100)-100mm(4")

Process connection location

(L)-Bottom mount(radial)

Approvals

(ULFM) - UL Certification, FM Certification

Process connection sizes

(06) -1/4NPT,male thread

Option

(BR) -Black rubber instrument cover

(N/A) -" "

Scale Range

0-300Psi

0...80retard250

0-600 psi

Case material

(N)-ABS

(N1)-Steel

(N2)-Stainless steel

